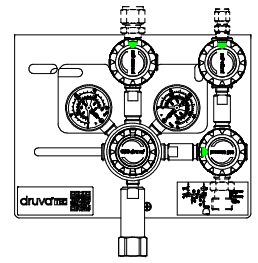
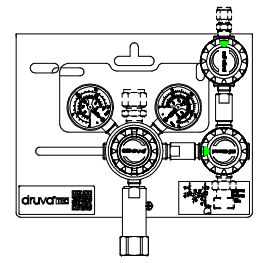


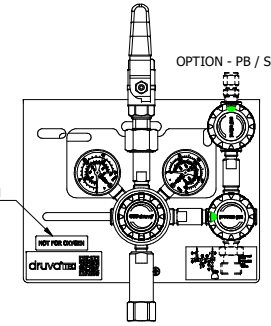
STANDARD VERSIONS OVERVIEW
OVERVIEW OF ADDITIONAL VERSIONS - SHEET NO. 2

OPTION - P0 / SPECIAL - 0

OPTION - PS / SPECIAL - 0



OPTION - PB / SPECIAL - 0



ORDERING INFORMATION

MTMH0X S PX X XX XX XX XX XXXX XXXX XXXX

- STAGES:**
S - SINGLE STAGE
- OPTIONS:**
P0 - HP PURGE VALVE + LP WITHOUT
PS - HP PURGE VALVE + LP SHUT-OFF VALVE
PB - HP PURGE VALVE + LP BALL VALVE
- SPECIALS:**
O - WITHOUT
C - CHECK VLV
F - SAFETY DEV. FLAM.
G - CHECK VLV + SAFETY DEV. FLAM.
H - CHECK VLV + SAFETY VLV + SAFETY DEV. FLAM.
N - SAFETY DEV. OXY/AIR
P - CHECK VLV + SAFETY DEV. OXY/AIR
Q - CHECK VLV + SAFETY VALVE + SAFETY DEV. OXY/AIR
S - SAFETY VLV
U - CHECK VLV + SAFETY VLV
Y - SAFETY DEV. FLAM. + SAFETY VLV
Z - SAFETY DEV. OXY/AIR + SAFETY VLV

- INLET PRESSURE:**
F4 - 60 BAR
FX - 200 BAR
GX - 300 BAR

- OUTLET PRESSURE:**
D2 - 10 BAR
EZ - 20 BAR
E1 - 40 BAR - NOT FOR O2 WITH OPTION PB
F2 - 100 BAR - NO OPTION PB

- PURGE CONNECTION:**
N14F - NPT1/4" FEMALE
MORE VERSIONS ON LIST OF CONN.
- PROCESS OUTLET CONNECTION:**
N38F - NPT3/8" FEMALE
MORE VERSIONS ON LIST OF CONNECTIONS
- PROCESS INLET CONNECTION:**
N14F - NPT1/4" FEMALE
N38F - NPT3/8" FEMALE
E2MR - G3/8" MALE EN560 RIGHT
W2ML - W21.8X1/4" MALE LEFT
W2MR - W21.8X1/4" MALE RIGHT
W3ML - W30X2 MALE LEFT
W3MR - W30X2 MALE RIGHT

- OUTLET GAUGE TYPE:**
BT - BOURDON TUBE
I2 - INDUCTIVE CONTACT I2
R2 - REED CONTACT R2
I1 - INDUCTIVE CONTACT I1
R5 - REED CONTACT R5

- INLET GAUGE TYPE:**
BT - BOURDON TUBE
I1 - INDUCTIVE CONTACT I1
R5 - REED CONTACT R5

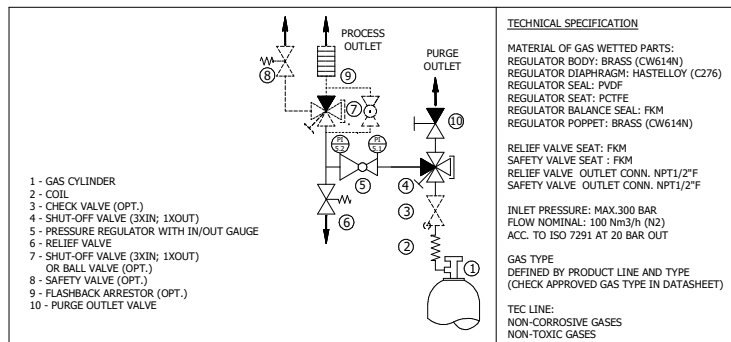
LIST OF PROCESS OUTLET CONNECTIONS

- N38F - NPT3/8" FEMALE
- G12F - G1/2" FEMALE
- E3MR - G1/2" MALE EN560 RIGHT
- E3ML - G1/2" MALE EN560 LEFT
- E5MR - G3/4" MALE EN560 RIGHT
- M12B - COMPRESSION FITTING 12MM BRASS
- M15B - COMPRESSION FITTING 15MM BRASS
- M18B - COMPRESSION FITTING 18MM BRASS
- M12S - COMPRESSION FITTING 12MM SS
- M15S - COMPRESSION FITTING 15MM SS
- M18S - COMPRESSION FITTING 18MM SS
- M25S - COMPRESSION FITTING 25MM SS
- IX8B - COMPRESSION FITTING 1/2" BRASS
- I10B - COMPRESSION FITTING 5/8" BRASS
- I12B - COMPRESSION FITTING 3/4" BRASS
- I14B - COMPRESSION FITTING 7/8" BRASS
- IX8S - COMPRESSION FITTING 1/2" SS
- I12S - COMPRESSION FITTING 3/4" SS
- I16S - COMPRESSION FITTING 1" SS
- DN21 - TUBE 21,3 MM

LIST OF PURGE CONNECTIONS

- N14F - NPT1/4" FEMALE
- M06B - COMPRESSION FITTING 6MM BRASS
- M08B - COMPRESSION FITTING 8MM BRASS
- M10B - COMPRESSION FITTING 10MM BRASS
- M12B - COMPRESSION FITTING 12MM BRASS
- M06S - COMPRESSION FITTING 6MM SS
- M08S - COMPRESSION FITTING 8MM SS
- M10S - COMPRESSION FITTING 10MM SS
- M12S - COMPRESSION FITTING 12MM SS
- IX4B - COMPRESSION FITTING 1/4" BRASS
- IX6B - COMPRESSION FITTING 3/8" BRASS
- IX8B - COMPRESSION FITTING 1/2" BRASS
- IX4S - COMPRESSION FITTING 1/4" SS
- IX6S - COMPRESSION FITTING 3/8" SS
- IX8S - COMPRESSION FITTING 1/2" SS

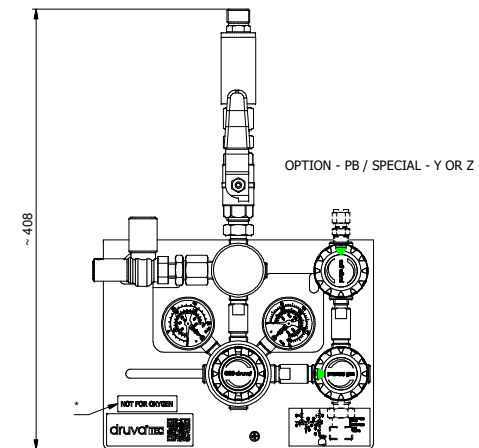
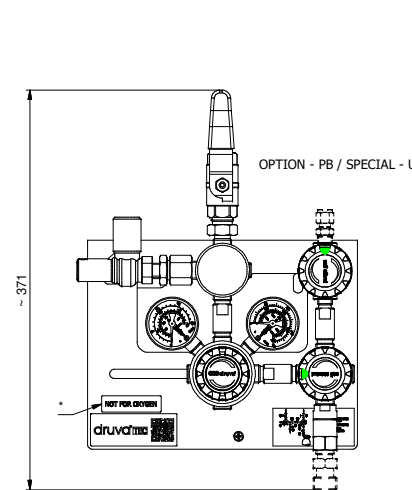
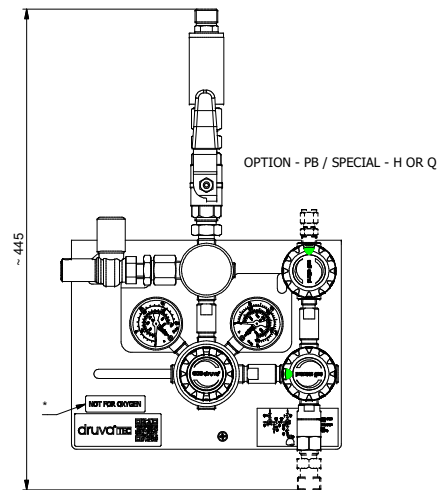
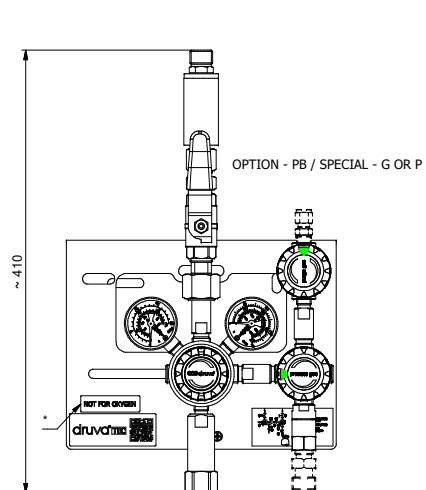
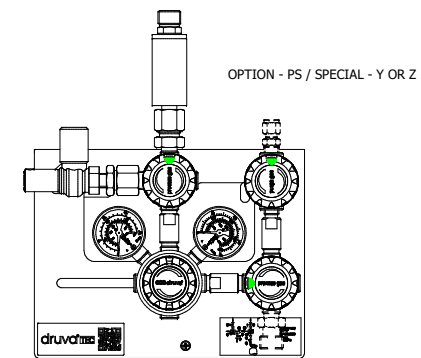
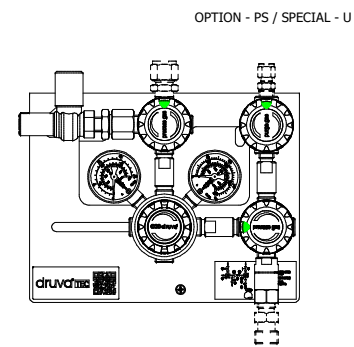
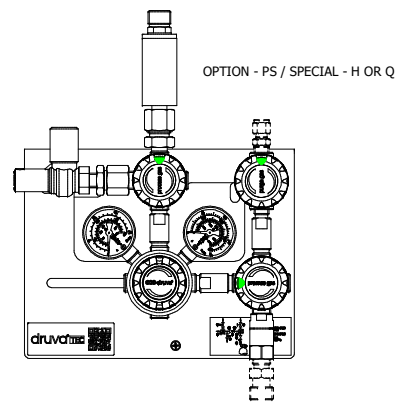
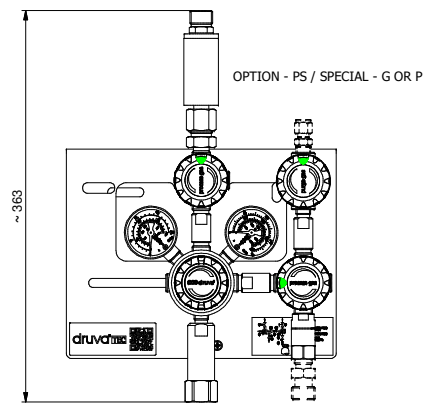
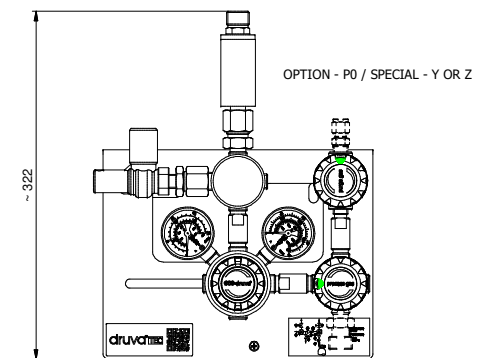
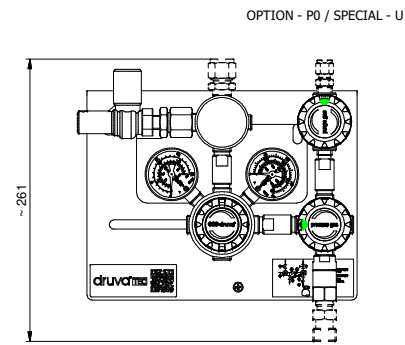
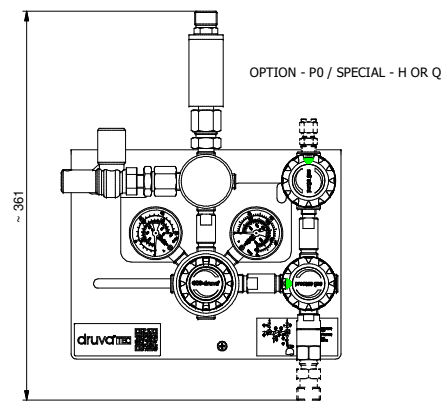
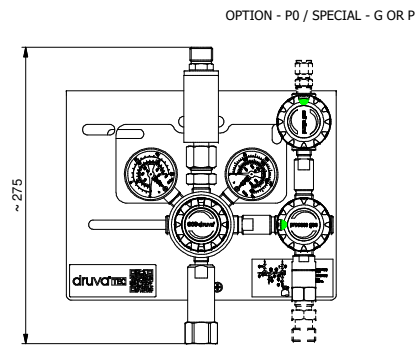
AVAILABILITY OF BRASS FITTINGS DEPENDING ON PRESSURE AND SIZE.
PAY ATTENTION TO THE MAXIMUM APPROVED PRESSURE OF YOUR PIPEWORK



02		22.4.2022	NEW SAFETY VALVE DESIGN / NOVÝ SV		ECO-06971	Chadim
Index	Date	Plugs / Description		C. change / No of change	Author	
Podobour Flow material Material Material	Roční oběh Dim. of raw material Material Material	Kritický rozměr Critical dimension marked		Maximální hmotnost Max weight	6,58 kg	
13.01.2021	L.Ondraček	Ing. I. Chadim		MANIFOLD TEC-LINE MID FLOW H0 MAN TEC 100Q H0 SINGL SGL PROPURGE		
1:2		B: Standard				

EXAMPLE: MTMH0XSPS0GXEZBTBTN38FM12BM06B

Overview of all versions



* ONLY FOR OUTLET PRESSURE E1

02	22.4.2022	NEW SAFETY VALVE DESIGN / NOVÝ SV		ECO-06971	Chadim
Index	Date	Title / Description		C. change / No. of change	Author
Pokročok	Revizor	Revisor	Revisor	Revisor	Revisor
Starý materiál	Starý výkres	Starý výkres	Starý výkres	Starý výkres	Starý výkres
Materiál	Materiál	Materiál	Materiál	Materiál	Materiál
<p>MANIFOLD TEC-LINE MID FLOW H0 MAN TEC 100Q H0 SINGL SGL PROPURGE</p>					
<p>13.01.2021</p> <p>L.Ondracek</p> <p>Ing. I. Chadim</p> <p>Ing. Z. Hejtek</p> <p>B: Standard</p>		<p>1:3,25</p>		<p>6.58 kg</p> <p>2/3</p>	
<p>ECO</p>		<p>MTMH0XSP</p>			